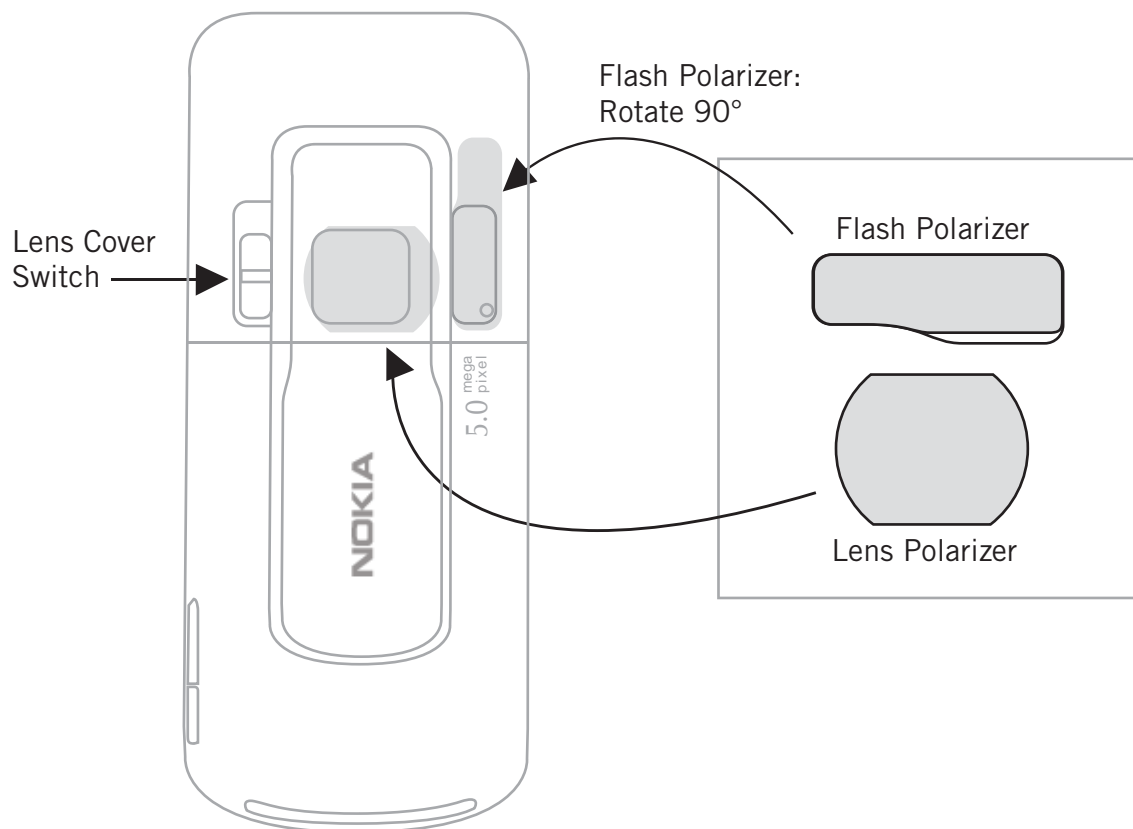


## Polarizer Installation Instructions for Nokia 6220 cellphone

For instructions for the N82 or other phones, please see [www.knfbReading.com](http://www.knfbReading.com)

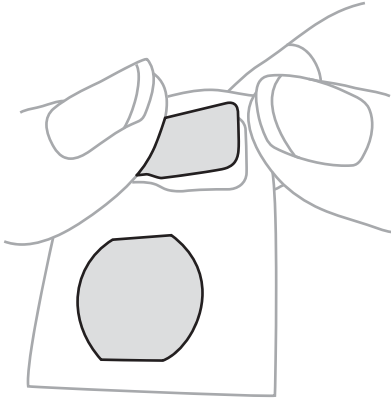
*Here is how things will look when you are done:*



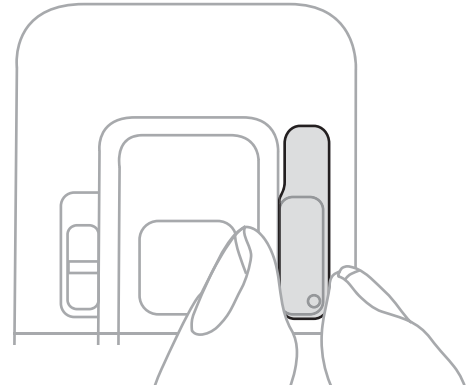
1. Open the lens cover with the lens cover switch (see figure above).
2. Make sure that the lens is completely clean, without any smudges. If you see dirt or dust, consider using a professional cleaning tool such as compressed/canned air (at room temperature) or a lens cloth.
3. Close the lens cover slider to protect the lens while installing the polarizers.
4. With a soft cloth, wipe off any dirt or grease on the flash windows and the area around the lens.

## Application Instruction Directions Continued

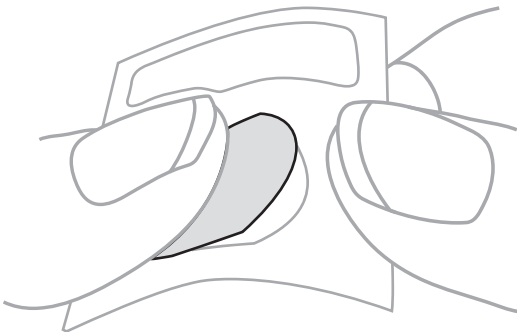
**Caution:** When separating the flash and lens polarizers from the sheet, only handle them by the edges.



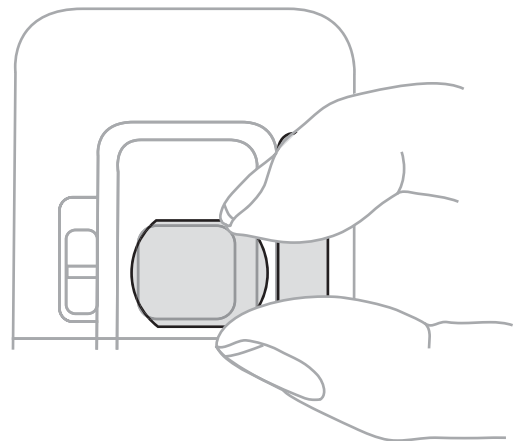
5. Grasp the flash polarizer between thumb and forefinger. With the other hand, bend the surrounding material down to separate the flash polarizer from the paper backing.



6. Hold the flash polarizer by the **edges**. Align the polarizer so the clear inner rectangle part of the polarizer covers as much of the flash window as possible. The flash polarizer should be placed just above the horizontal line across the middle of the phone. Apply gently, then nudge into place.

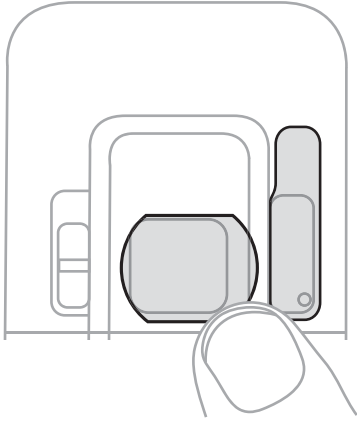


7. Bend the sheet so that the lens polarizer separates from the paper backing. **Do not bend the lens polarizer.**

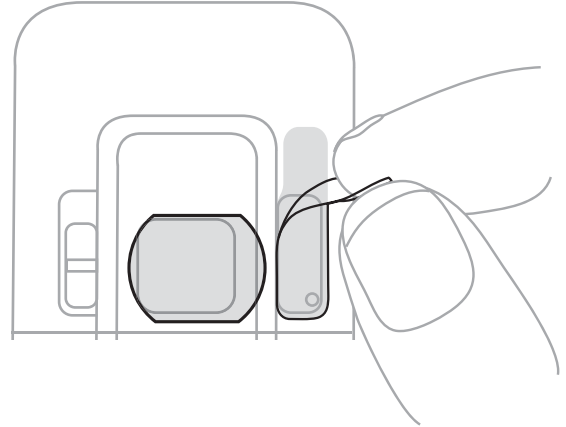


8. Hold the lens polarizer by the edges. Important: The flat edges of the polarizer should be **perfectly parallel** to the horizontal line across the middle of the phone, just under the lens in the figure. Place the lens polarizer close to the flash. Do not push on the center of the polarizer.

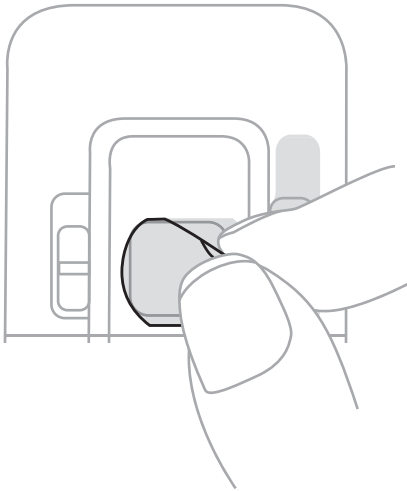
*Application Instruction Directions Continued*



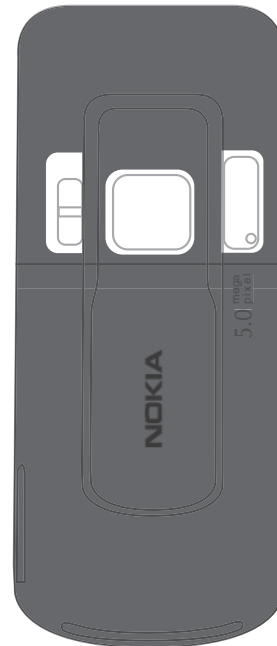
9. Push down around the edges of the lens polarizer that are touching the camera assembly. Do not push on the center.



10. Peel off the pink protective film from the flash polarizer.



11. Peel off the pink protective film from the lens polarizer.



12. Finally, we recommend using a protective case to protect the polarizers when the camera side of the phone is touching a surface.